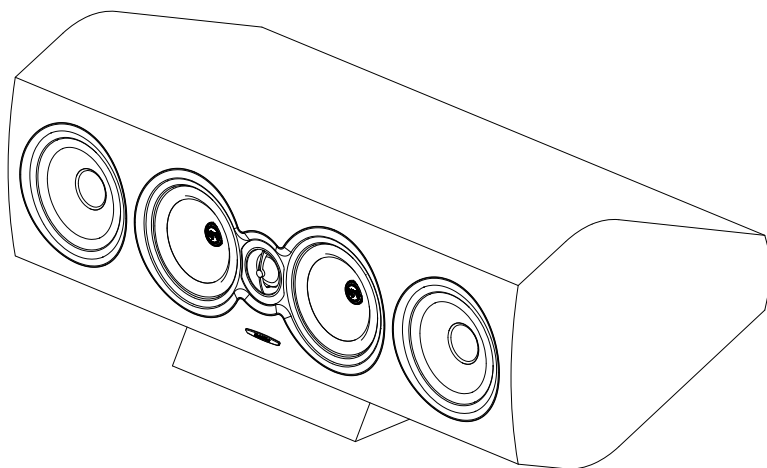


Sonus faber

ARTISAN OF SOUND

HORIZONTAL LOUDSPEAKER



SONETTO CENTER II

DIMENSIONS (HxWxD)

289x743x409 mm
12x30x16 in

WEIGHT

16,2 kg ea
35,7 lb ea

